

DIECI
AUSTRALIA

RUNNER | 40.13





RUNNER

ELEVATE YOUR PERFORMANCE

The needs on construction sites are changing. Management costs must be reduced and machine productivity continuously improved. Dieci meets the demands of customers with more versatile, more robust and more reliable machines that are easy to drive and operate.

The **Runner** is suitable for large jobs in the building and industrial sectors, thanks to its characteristics of great strength, power and lifting heights.

The hydrostatic transmission combined with “**inching**” pedal command allows the Runner to operate at slow speeds with the engine at full throttle, ensuring extremely precise loading and maximum safety.

Great power, excellent handling, precision movement control, sound proofing for absolute comfort, three steering modes including 2WS, 4WS and crab steering, as well as the intelligently designed control layout, makes the Runner simple, intuitive and comfortable to use.

The Runner can be fitted with a full range of accessories, making it an **incredibly versatile** machine.



ABSOLUTE COMFORT: ITALIAN DESIGN AND STYLE

Dieci telehandlers have always been a combination of **comfort** and **functionality** which makes us stand out all over the world.

Powerful & Stable

Extremely rugged machine with exceptional loading capacities in all operating conditions, with boom retracted or extended. Independent outriggers with proportional controls and a transversal levelling device to always work the chassis in a horizontal position, even on uneven ground.

Advanced Telescopic Boom

Made of high resistance steel, while load sensing and flow sharing distributors allow for more simultaneous movements during operation.

Not Only Power

The Runner responds to controls in a fluid way, with precision and promptness, thus guaranteeing exceptional work comfort in complete safety.

Perfect Climate

Equipped with an integrated electric driver's window, standard heater and a semi-automatic air conditioning system with six outlet vents, this setup allows perfect air circulation inside the cabin for maximum operator comfort.

Maximum Safety

The ROPS-FOPS approved cab is designed with a safety cell to provide maximum safety to the operator at all times. Dieci telehandlers comply with AS1418.19 / 10896.1.

Deadman sensor, combined with the operator presence sensor in the seat, prevents accidental operation.

The **Load Limiter Device** analyses vehicle stability in real time and inhibits any aggravating movements when the pre-set safety limits are reached.

Runner 40.13

12.4m
Max Reach

4,000kg
Max Capacity

125hp / 93kW
Nominal Power

Comfort & Ease of Access

With soundproofing, an adjustable steering wheel (height and depth), storage compartments and various accessories such as the air suspension seat, enable operation in total comfort.

Single Compensation Cylinder

Patented by Dieci - is located inside the lifting ram, ensures that the load on the boom is balanced at all times, thereby improving durability.

Side Shift Carriage

Equipped with a side shift carriage, making repositioning and stacking loads tightly, an effortless task.

Inching Pedal

An essential control that allows travel speed to momentarily slow down or come to a stop while still offering maximum power to boom functions to increase precision and productivity for delicate operations.

Panoramic Views

The large, curved windows of the cab offer a complete 360° outside view with uninterrupted visibility. Integrated LED worklights allow better visibility at night.

4-in-1 Joystick

The boom can be fully operated by the hydraulic control distributor-single joystick with proportional and simultaneous controls which also incorporates FNR, for easier and more practical direction control.

Hydrostatic Transmission

Complete with a servo controlled 2 speed gear box and constantly varying hydrostatic drive, which guarantees top-end speed and low-end torque.

130 l/min Hydraulic Flow Rate

Up to 130 l/min hydraulic flow maximises manoeuvrability in all applications.



TECHNICAL DATA

PERFORMANCE

Maximum capacity	4,000 kg
Maximum lifting height	12.4 m
Maximum horizontal extension	8.85 m
Fork swiveling angle	134 °
Pull-out force	7,300 daN
Towing force	7,300 daN
Maximum climb angle	40 %
Unladen weight	10,420 kg
Maximum speed	40 km/h

ENGINE

Brand	FPT
Nominal power	125 hp / 93 kW (@ 2,200 rpm)
Operation	4-stroke / diesel
Injection	Mechanical direct
Number and arrangement of cylinders	4, vertical inline
Displacement	4,485 cm ³
Emission standard	Stage IIIA/Tier 3
Cooling	Liquid
Intake	Turbocharger after-cooler

TRANSMISSION

Type	Hydrostatic transmission with variable displacement pump
Hydraulic motor	Hydrostatic with continuous automatic adjustment
Reversal	Electro-hydraulic
Inching control	With hydraulic pedal for controlled forward movement
Gearbox	Servo-controlled 2-speed

HYDRAULIC SYSTEM

Hydraulic pump type	Gear pump for power steering and movements
Hydraulic pump capacity	130 l/min
Maximum operating pressure	25 MPa (3,626 psi)
Boom hydraulic sockets	With quick couplings
Distributor control	4 in 1 joystick with integrated FNR (with deadman capacitive sensor)
Distributor type	Hydraulic distributor-single joystick with proportional and simultaneous controls
Outriggers	2 independent outriggers

TANK CAPACITIES

Hydraulic tank	168 l
Diesel tank	125 l

DIFFERENTIAL AXLES

Steering axles	2 steering, with 4 epicycloidal reduction gears
Type of steering	4 wheels / transversal / 2 wheels
Service brake	Oil bath with servo brake on front and rear with double hydraulic system
Park brake	Negative actuation with electrical control

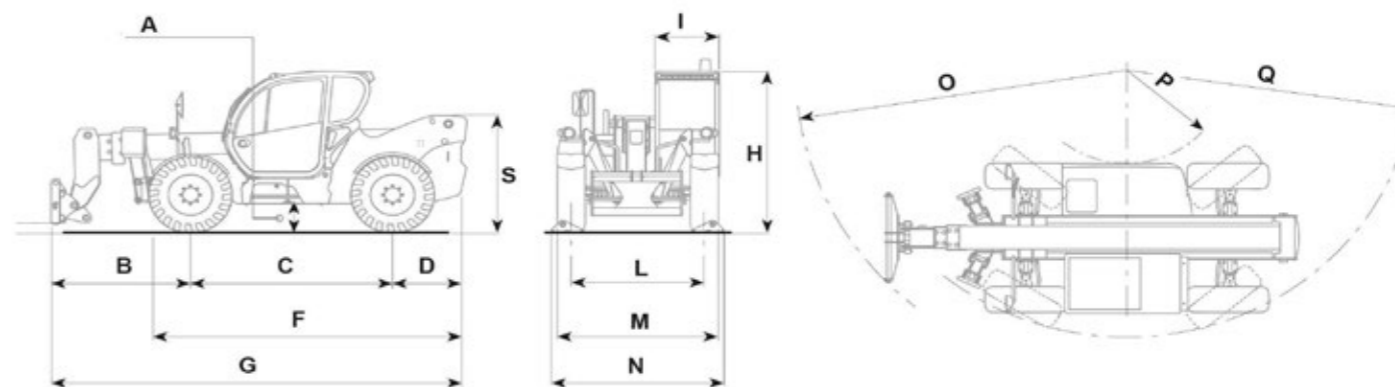
TYRES

Size	400/70x20"
------	------------

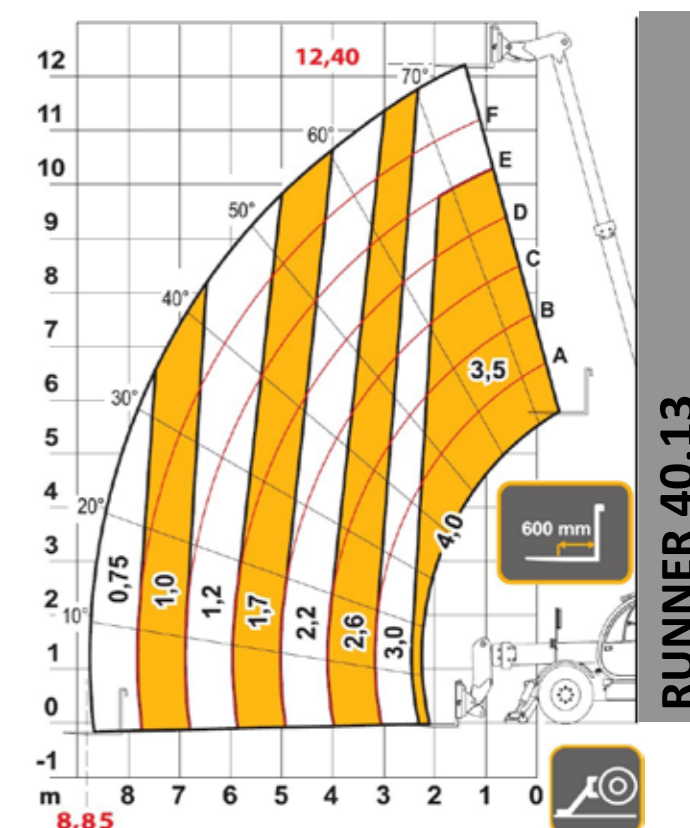
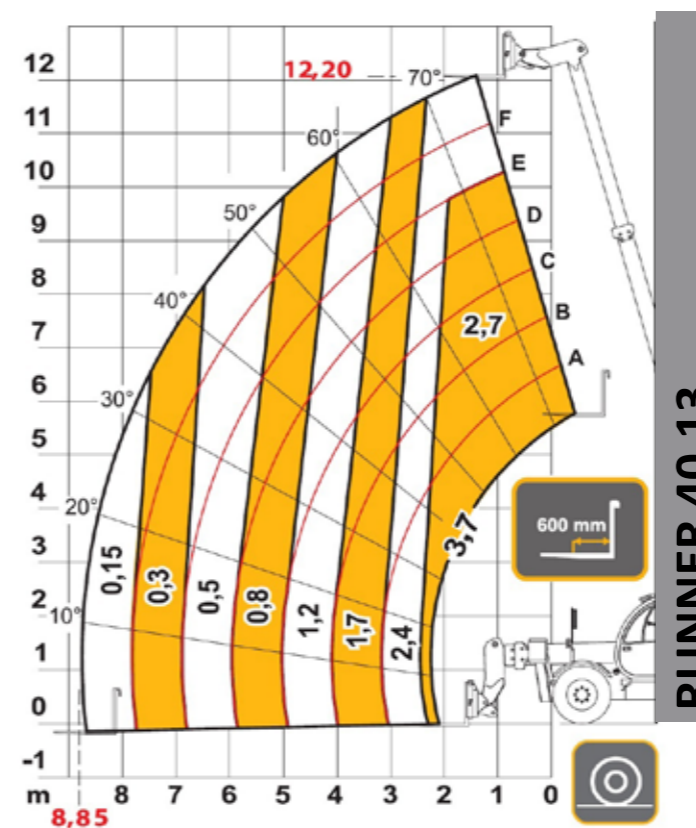
RUNNER 40.13

DIMENSIONS

A	440 mm
B	2,110 mm
C	2,600 mm
D	880 mm
F	4,080 mm
G	5,590 mm
H	2,460 mm
I	940 mm
L	1,910 mm
M	2,320 mm
N	2,480 mm
O	4,550 mm
P	1,260 mm
Q	3,920 mm
S	1,760 mm



LOAD CHARTS





NEW SOUTH WALES

Sydney Branch
1/5 Melito Court,
Prestons, NSW 2170

WESTERN AUSTRALIA

Perth Branch
32 Allott Way,
Maddington, WA 6109

VICTORIA

Melbourne Branch
169 Studley Court,
Derrimut, VIC 3026

QUEENSLAND

Brisbane Branch
78-80 Platinum Street,
Crestmead, QLD 4132

Brisbane North Branch
69 Griffin Crescent,
Brendale, QLD 4500



www.dieciaustralia.com.au | ph: 1300 888 479 | sales@dieciaustralia.com.au

Distributed by Dieci Australia

Illustrations and photos show the standard international models and may or may not include optional equipment, accessories, customer installed or modified parts, optional parts and all standard equipment with some differences in colour and features. Machine specifications are subject to change without notice and additional load charts and machine or attachment specifications may be available on request. Please refer to the user and maintenance manuals located on Dieci Australia's website for correct machine and attachment operation.



Printed in Australia

Runner_0924