

DIECI
AUSTRALIA

ZEUS | 40.7





ZEUS POWER & AGILITY FOR MAXIMUM EFFICIENCY

The characteristics of Dieci products can be summarised in three concepts that have always been the hallmark of each machine: **technology, reliability** and **durability**.

Extremely easy to handle, maximum power at the wheels and boom, absolute comfort and ecological. These are just a few reasons that make the **Zeus 40.7** the most innovative machine in its sector.

The simplicity of the fully mechanical FPT engine, combined with EVO2 transmission, ensures all the required power to the wheels, with reduced consumption.

With a high efficiency steering system, even in the most loaded conditions the steering wheel is always soft. Manoeuvrability and compactness remain the stand-out features and the turning radius is one of the narrowest in its category.

The Zeus can be fitted with a full range of accessories, making it an **incredibly versatile** machine.

ABSOLUTE COMFORT: ITALIAN DESIGN AND STYLE

Dieci telehandlers have always been a combination of **comfort** and **functionality** which makes us stand out all over the world.

Reliability & Productivity

Ideal for work environments where there is a need to handle large volumes and reduce work cycles. Maintenance is straightforward, with durable components and materials designed to last.

Unparalleled Manoeuvrability

The use of the **Powershift** transmission, combined with the right work mode, allows for the completion of even the most demanding tasks. The combined use of the electronic inching pedal and accelerator make it possible to move the telehandler forward slowly and in a controlled way, also with the boom at maximum height.

Advanced Telescopic Boom

Reinforced boom made of high resistance steel with load sensing and flow sharing distributors that offer simultaneous movements for more efficient work.

Perfect Climate

Equipped with an integrated electric driver's window, standard heater and a semi-automatic air conditioning system with six outlet vents, this setup allows perfect air circulation inside the cabin for maximum operator comfort.

Maximum Safety

The ROPS-FOPS approved cab is designed with a safety cell to provide maximum safety to the operator at all times. Dieci telehandlers comply with AS1418.19 / 10896.1.

Deadman sensor, combined with operator presence sensor in the seat, prevents accidental operation.

The **Load Limiter Device** analyses vehicle stability in real time and inhibits any aggravating movements when the pre-set safety limits are reached.



ZEUS 40.7 PS

7.00m

Max Reach

4,000kg

Max Capacity

125hp / 93kW

Nominal Power

146° Fork Swivelling Angle Rotation

Specially designed to increase the operating arc, which is particularly useful when unloading with the boom raised.

Easy Ride System

Developed by Dieci, the sophisticated air suspension system installed on the boom (optional), drastically reduces up and down movement when travelling over rough terrain.

190 l/min Hydraulic Flow Rate

The 190 l/min hydraulic flow maximises manoeuvrability in all applications.

Inching Pedal

An essential control that allows travel speed to momentarily slow down or come to a stop while still offering maximum power to boom functions to increase precision and productivity for delicate operations.

Panoramic Views

The large, curved windows of the cab offer a complete 360° outside view with uninterrupted visibility. Integrated LED work lights allow better visibility at night.

4-in-1 Joystick

The boom can be fully operated by the hydraulic control distributor-single joystick with proportional and simultaneous controls which also incorporates FNR, for easier and more practical direction control.

Single Compensation Cylinder

Patented by Dieci - is located inside the lifting ram, ensures that the load on the boom is balanced at all times, thereby improving durability.

Double Reversible Fan

Enables remarkable fuel savings benefits, making it faster and easier to execute cleaning operations required in dusty environments.



TECHNICAL DATA

PERFORMANCE

Maximum capacity	4,000 kg
Maximum lifting height	7 m
Maximum horizontal extension	4 m
Fork swiveling angle	146°
Pull-out force	6,000 daN
Towing force	8,200 daN
Maximum climb angle	60 %
Unladen weight	7,700 kg
Maximum speed	40 km/h

ENGINE

Brand	FPT
Nominal power	125 hp / 93 kW (@ 2,200 rpm)
Operation	4-stroke / diesel
Injection	Mechanical direct
Number and arrangement of cylinders	4, vertical inline
Displacement	4,485 cm ³
Emission standard	Stage IIIA/Tier 3
Cooling	Liquid
Intake	Turbocharger after-cooler

TRANSMISSION

Type	Torque converter with power shift EVO2 reversing mechanism and electric control
Inching control	With electronic pedal for controlled forward movement
Gearbox	6 forward gears / 3 reverse gears with electronic control

HYDRAULIC SYSTEM

Hydraulic pump type	LS piston pump for power steering and movement and gear pump for services
Hydraulic pump capacity	190 l/min
Maximum operating pressure	25 MPa (3,626 psi)
Boom hydraulic sockets	With quick couplings
Distributor control	4-in-1 joystick with integrated FNR (with deadman capacitive sensor)
Distributor type	Hydraulic distributor-single joystick with proportional and simultaneous controls

TANK CAPACITIES

Hydraulic tank	160 l
Diesel tank	180 l

DIFFERENTIAL AXLES

Steering axles	2 steering, with 4 epicyclic reduction gears
Type of steering	4 wheels / transversal / 2 wheels
Service brake	Oil bath with servo brake on front and rear with double hydraulic system
Park brake	Negative actuation with electrical control

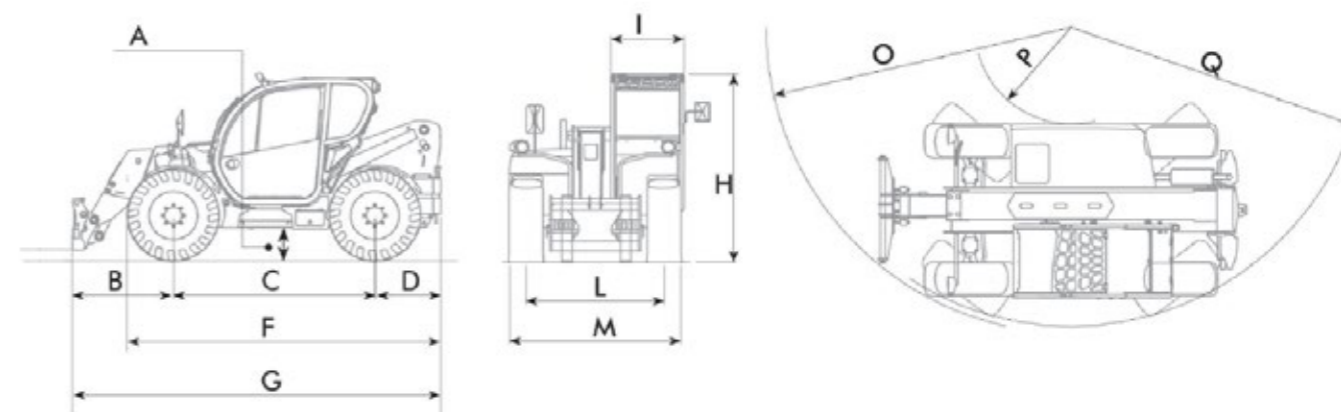
TYRES

Size	460/70x24"
------	------------

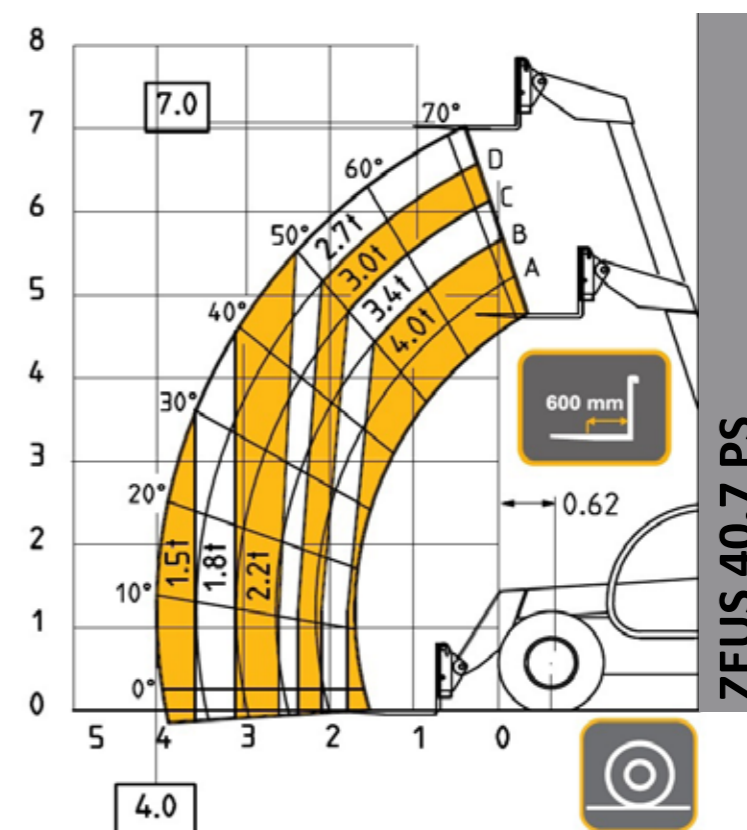
ZEUS 40.7 PS

DIMENSIONS

A	360 mm
B	1,475 mm
C	2,750 mm
D	850 mm
F	4,175 mm
G	5,075 mm
H	2,445 mm
I	940 mm
L	1,850 mm
M	2,310 mm
O	5,185 mm
P	1,320 mm
Q	3,920 mm



LOAD CHART





NEW SOUTH WALES

Sydney Branch
1/5 Melito Court,
Prestons, NSW 2170

WESTERN AUSTRALIA

Perth Branch
32 Allott Way,
Maddington, WA 6109

VICTORIA

Melbourne Branch
169 Studley Court,
Derrimut, VIC 3026

QUEENSLAND

Brisbane Branch
78-80 Platinum Street,
Crestmead, QLD 4132

Brisbane North Branch
69 Griffin Crescent,
Brendale, QLD 4500



www.dieciaustralia.com.au | ph: 1300 888 479 | sales@dieciaustralia.com.au

Distributed by Dieci Australia

Illustrations and photos show the standard international models and may or may not include optional equipment, accessories, customer installed or modified parts, optional parts and all standard equipment with some differences in colour and features. Machine specifications are subject to change without notice and additional load charts and machine or attachment specifications may be available on request. Please refer to the user and maintenance manuals located on Dieci Australia's website for correct machine and attachment operation.



Printed in Australia

Zeus40.7_0924