

DIECI
AUSTRALIA

DEDALUS | 30.7 | 30.9





DEDALUS UNRIVALED AGILITY FOR CONFINED SPACES

The characteristics of Dieci products can be summarised in three concepts that have always been the hallmark of each vehicle: **technology**, **reliability** and **durability**.

We work every day to evolve our machines, adopting the best solutions based on research, advice and experiences with our customers. Offering a range of telehandlers designed to suit Australia's diverse environments.

Precision movements, manoeuvrability, maximum power at the wheels and boom, sound proofing, three steering modes including 2WS, 4WS and crab steering, as well as the intelligently designed control layout, makes the Dedalus efficient, intuitive and comfortable to use.

The **Dedalus** has been designed to cater to a wide range of equipment necessary for executing diverse tasks on a construction site. Its adaptability and robust engineering allow it to handle everything from lifting and transporting heavy materials to precision operations. This versatility not only enhances efficiency but also reduces the need for multiple specialised machines, making the Dedalus an indispensable asset for any construction project.

ABSOLUTE COMFORT: ITALIAN DESIGN AND STYLE

Dieci telehandlers have always been a combination of **comfort** and **functionality** which makes us stand out all over the world.

Versatile Applications

Ideal for various tasks where strength and agility are crucial. Compact, rugged, and dynamic, the Dedalus performs exceptionally well in tight spaces and demanding conditions.

Hydrostatic Transmission

Complete with a servo controlled 2 speed gear box and constantly varying hydrostatic drive, which guarantees top-end speed and low-end torque.

Top Level Performance

Superior performance, thanks to the boom which achieves the perfect balance between size and strength. Incredibly responsive and totally free of any uncontrolled movement thanks to the central position of the boom.

Unparalleled Manoeuvrability

Distinguished by its fluid movement and precise control, the Dedalus excels in tasks that require smooth operation and accurate handling in confined spaces, thanks to its compact design.

Maximum Safety

The ROPS-FOPS approved cab is designed with a safety cell to provide maximum safety to the operator at all times. Dieci telehandlers comply with AS1418.19 / 10896.1.

Deadman sensor, combined with operator presence sensor in the seat, prevents accidental operation.

The **Load Limiter Device** analyses vehicle stability in real time and inhibits any aggravating movements when the pre-set safety limits are reached.



Dedalus 30.7 TCL

6.35m

Max Reach

3,000kg

Max Capacity

98hp / 73.4kW

Nominal Power

Reversible Fan

The engine cooling system utilises a reversible fan to blow any dust and fibres away from the radiator.

Advanced Telescopic Boom

Made of high resistance steel, while load sensing and flow sharing distributors allow for more simultaneous movements during operation.

Inching Pedal

An essential control that allows travel speed to momentarily slow down or come to a stop while still offering maximum power to boom functions to increase precision and productivity for delicate operations.

Perfect Climate

Equipped with an integrated electric driver's window, standard heater and a semi-automatic air conditioning system with six outlet vents, this setup allows perfect air circulation inside the cabin for maximum operator comfort.

Panoramic Views

The large, curved windows of the cab offer a complete 360° outside view with uninterrupted visibility.

4-in-1 Joystick

The boom can be fully operated by the hydraulic control distributor-single joystick with proportional and simultaneous controls which also incorporates FNR, for easier and more practical direction control.

115L Hydraulic Flow Rate

The 115lpm hydraulic flow maximises manoeuvrability in all applications.

Comfort & Ease of Access

With soundproofing, an adjustable steering wheel (height and depth), storage compartments and various accessories such as the air suspension seat, enable operation in total comfort.



Dedalus 30.9 TCL

8.70m

Max Reach

3,000kg

Max Capacity

98hp / 73.4kW

Nominal Power

TECHNICAL DATA

PERFORMANCE	DEDALUS 30.7	DEDALUS 30.9
Maximum capacity	3,000 kg	3,000 kg
Maximum lifting height	6.35 m	8.70 m
Maximum horizontal extension	3.70 m	5.80 m
Fork swiveling angle	146°	146°
Pull-out force	5,700 daN	5,700 daN
Towing force	5,500 daN	5,500 daN
Maximum climb angle	40 %	40 %
Unladen weight	6,100 kg	6,250 kg
Maximum speed	35 km/h	35 km/h

ENGINE	
Brand	Kubota
Nominal power	98 hp / 73.4 kW (@ 2,600 rpm)
Operation	4-stroke / diesel
Injection	Mechanical
Number and arrangement of cylinders	4, vertical inline
Displacement	3,769 cm ³
Emission standard	Stage IIIA/Tier 3
Cooling	Liquid
Intake	Turbo compressor

TRANSMISSION	
Type	Hydrostatic transmission with variable displacement pump
Hydraulic motor	Hydrostatic with continuous automatic adjustment
Reversal	Electro-hydraulic
Inching control	With hydraulic pedal for controlled forward movement
Gearbox	Servo-controlled 2-speed

HYDRAULIC SYSTEM	
Hydraulic pump type	Gear pump for power steering and movements
Hydraulic pump capacity	115 l/min
Maximum operating pressure	24.5 MPa (3,553 psi)
Boom hydraulic sockets	With quick couplings
Distributor control	4-in-1 joystick with integrated FNR (with deadman capacitive sensor)
Distributor type	Hydraulic distributor-single joystick with proportional and simultaneous controls

TANK CAPACITIES	
Hydraulic tank	140 l
Diesel tank	100 l

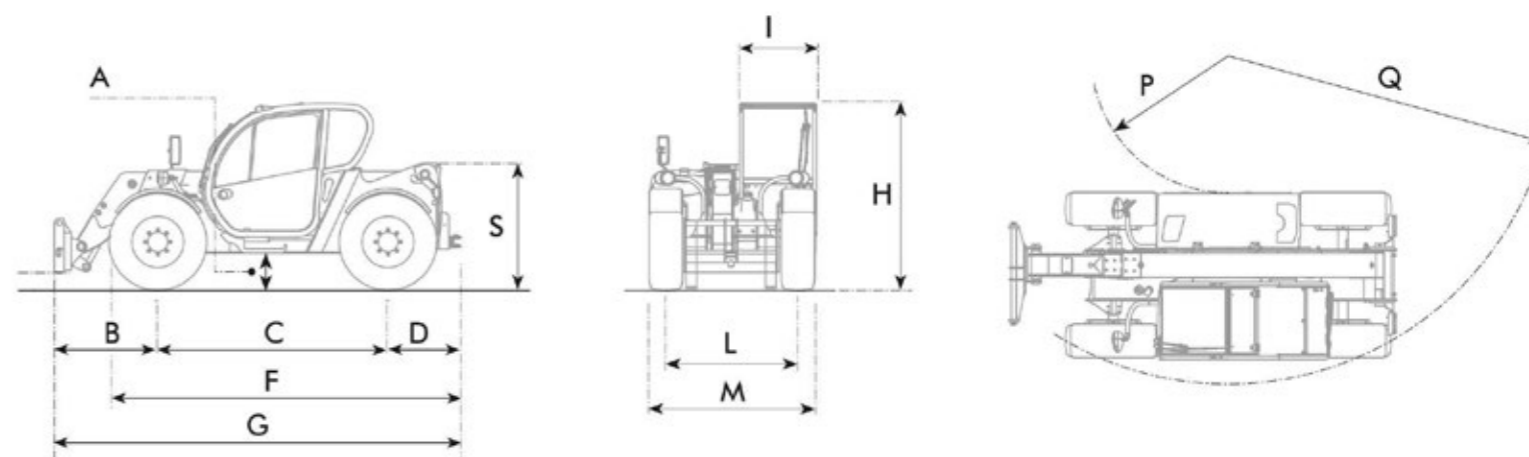
DIFFERENTIAL AXLES	
Steering axles	2 steering, with 4 epicycloidal reduction gears
Type of steering	4 wheels / transversal / 2 wheels
Service brake	Oil bath with servo brake on front axle
Park brake	Negative actuation with electrical control

TYRES	
Size	12.5x18"

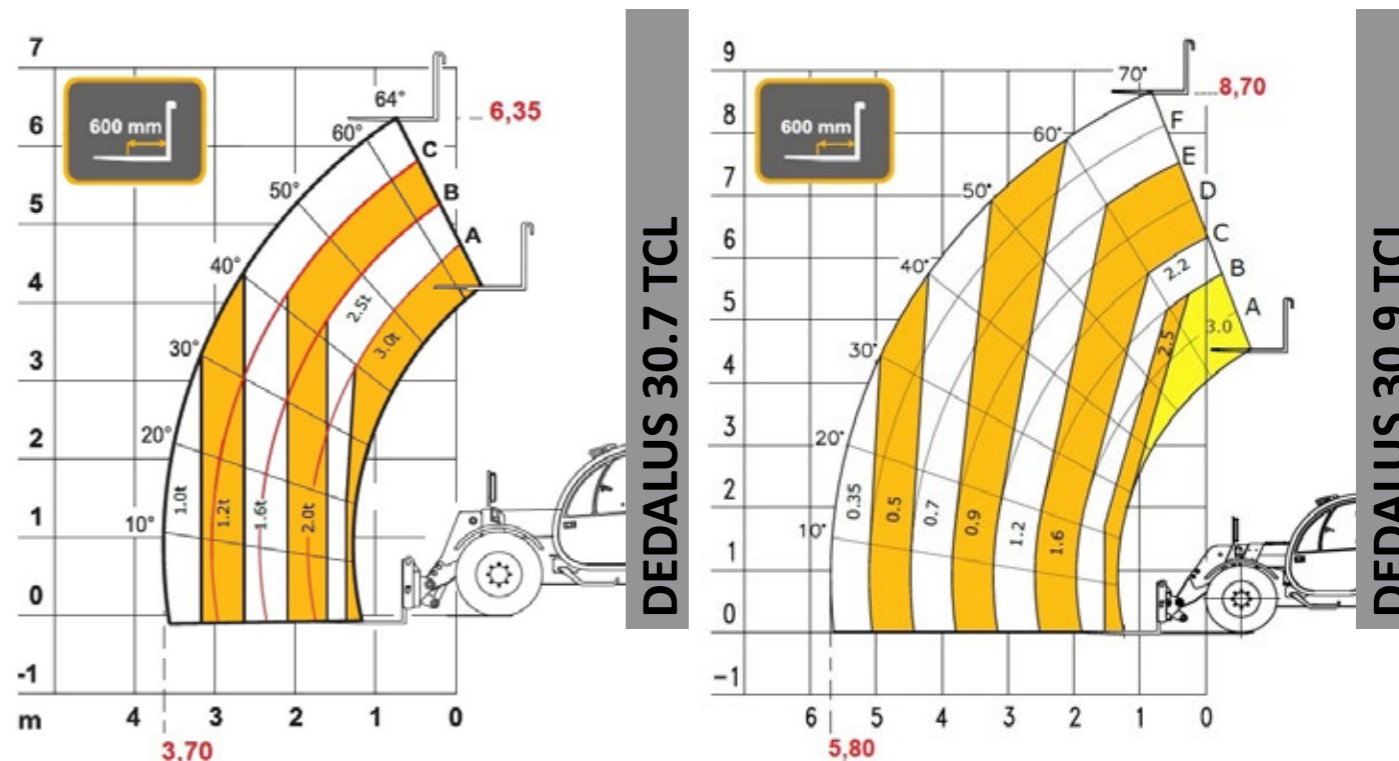
DEDALUS

30.7 TCL | 30.9 TCL

DIMENSIONS	DEDALUS 30.7	DEDALUS 30.9
A	400 mm	400 mm
B	1,315 mm	1,232 mm
C	2,800 mm	2,800 mm
D	650 mm	743 mm
F	3,990 mm	4,087 mm
G	4,765 mm	4,775 mm
H	2,040 mm	2,040 mm
I	940 mm	940 mm
L	1,600 mm	1,600 mm
M	2,000 mm	2,000 mm
P	1,670 mm	1,670 mm
Q	4,000 mm	4,000 mm
S	1,544 mm	1,540 mm



LOAD CHARTS





NEW SOUTH WALES

Sydney Branch
1/5 Melito Court,
Prestons, NSW 2170

WESTERN AUSTRALIA

Perth Branch
32 Allott Way,
Maddington, WA 6109

VICTORIA

Melbourne Branch
169 Studley Court,
Derrimut, VIC 3026

QUEENSLAND

Brisbane Branch
78-80 Platinum Street,
Crestmead, QLD 4132

Brisbane North Branch
69 Griffin Crescent,
Brendale, QLD 4500



www.dieciaustralia.com.au | ph: 1300 888 479 | sales@dieciaustralia.com.au

Distributed by Dieci Australia

Illustrations and photos show the standard international models and may or may not include optional equipment, accessories, customer installed or modified parts, optional parts and all standard equipment with some differences in colour and features. Machine specifications are subject to change without notice and additional load charts and machine or attachment specifications may be available on request. Please refer to the user and maintenance manuals located on Dieci Australia's website for correct machine and attachment operation.



Printed in Australia

Dedalus_0924