

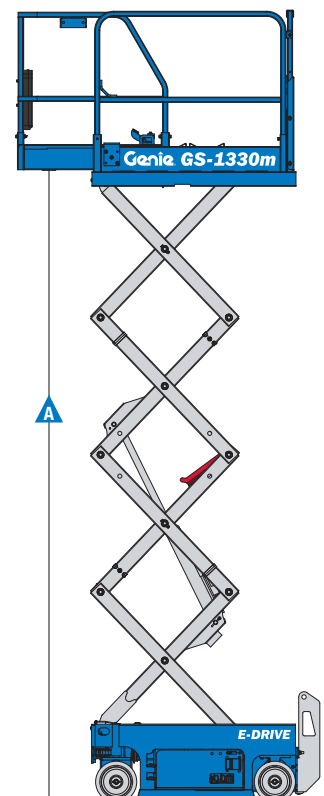
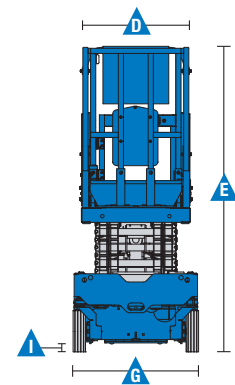
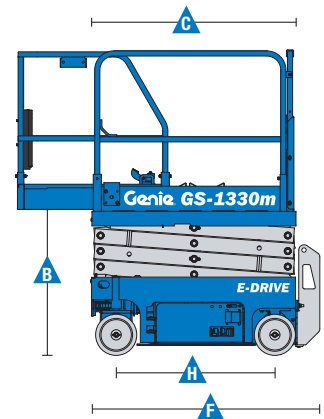
### Specifications

Model	GS™ -1330m	
<b>Measurements</b>	<b>Metric</b>	<b>US</b>
Working height maximum*	5.81 m	18 ft 6 in
<b>A</b> Platform height maximum	3.81 m	12 ft 6 in
<b>B</b> Platform height - stowed	0.90 m	2 ft 11 in
<b>C</b> Platform length - outside	1.26 m	4 ft 2 in
extended	1.72 m	5 ft 8 in
Slide-out platform extension deck	0.46 m	1.5 ft
<b>D</b> Platform width - outside	0.67 m	26.5 in
Guardrail height	1.10 m	3 ft 7 in
Toeboard height	0.15 m	6 in
<b>E</b> Height - stowed, fixed rails	2.02 m	6 ft 7.5 in
Length - stowed	1.41 m	4 ft 8 in
- stowed extended	1.87 m	6 ft 2 in
<b>F</b> Width	0.78 m	30.5 in
Wheelbase	0.98 m	3 ft 3 in
<b>G</b> Ground clearance - centre	6 cm	2.4 in
<b>H</b> - with pothole guards deployed	2 cm	0.83 in
<b>Productivity</b>		
Max platform occupancy (indoor/outdoor)**	2/-	2/-
Lift capacity	227 kg	500 lb
Lift capacity - extension deck	91 kg	200 lb
Drive height	Full height	
Drive speed - stowed	4.0 km/h	2.5 mph
Drive speed - raised	0.8 km/h	0.5 mph
Gradeability - stowed***	25%/14°	25%/14°
Turning radius - inside	40 cm	15.7 in
Turning radius - outside	1.55 m	5 ft 1 in
Raise/lower speed	20 / 22 sec	
Controls	Proportional	
Drive	dual rear wheel, electric	
Brakes	dual rear wheel, electric	
Tyres solid non-marking	25.4 x 7.6 cm	10 x 3 in
<b>Power</b>		
Power source	24 V DC (two 12 V 85 Ah batteries)	
Hydraulic system capacity	1.5 gal	5.6 L
<b>Weight****</b>		
	887 kg	1,953 lb

### Standards Compliance

AS 1418.10

\* The metric equivalent of working height adds 2 m to platform height. U.S. adds 6 ft to platform height.  
 \*\* Indoor use only for the GS-1330m  
 \*\*\* Gradeability applies to driving on slopes, see Operator's Manual for details regarding slope ratings.  
 \*\*\*\* Weight will vary depending on options and/or country standards.



### Features

#### Standard Features

##### Measurements

###### GS-1330m

- 5.81 m (18 ft 6 in) working height
- Up to 227 kg (500 lb) lift capacity

##### Productivity

- Folding rails with half-height swing gate
- Dual rear wheel DC electric drive
- Smart Link™ control system (joystick, 2 lift speeds & 2 selectable proportional drive speeds, user-friendly diagnostics)
- Rear charger receptacle
- Platform control with battery charge indicator
- On-board diagnostic system
- AC power to platform
- Lanyard attachment points
- Manual platform lowering valve
- Emergency stop at both platform and ground controls
- Dual rear wheel electric brakes
- Electric brake release
- Swing-out component trays
- Pothole guards
- Tilt level sensor with audible alarm
- Descent alarm
- Motion alarm
- Dual flashing LED beacons
- Automotive horn
- Hour meter

##### Power

- 24 V DC battery pack
- Universal 20 amp smart charger

##### Platform

- 1.26 m x 0.67 m (50 x 26.5 in) steel platform
- 0.46 m (1.5 ft) extension deck

##### Power

- 24 V DC (two 12V 85 Ah batteries)

##### Tyres

- Solid non-marking

#### Options & Accessories

##### Productivity Options

- Power to platform: plug, socket, with optional Residual-current Circuit Breaker with Overcurrent protection

##### Power Options

- AGM maintenance-free batteries



### Genie – Toll free number 1800 788 633

#### Brisbane

HEAD OFFICE  
33 Kimberley Street  
Darra QLD 4076

#### Sydney

74 Glendenning Road  
Glendenning NSW 2761

#### Melbourne

133 Logis Boulevard  
Dandenong Sth VIC 3175

#### Adelaide

16-18 Nixon Road  
Wingfield SA 5013

#### Perth

126 Sheffield Road  
Welshpool WA 6106

#### Darwin

33 McCourt Road  
Yarrawonga NT 0830

#### Genie USA

18340 NE 76th Street  
P.O. Box 97030  
Redmond, Washington  
98073-9730

#### Distributed By:

Effective Date: May, 2018. Product specifications and prices are subject to change without notice or obligation. The photographs and/or drawings in this document are for illustrative purposes only. Refer to the appropriate Operator's Manual for instructions on the proper use of this equipment. Failure to follow the appropriate Operator's Manual when using our equipment or to otherwise act irresponsibly may result in serious injury or death. The only warranty applicable to our equipment is the standard written warranty applicable to the particular product and sale and we make no other warranty, express or implied. Products and services listed may be trademarks, service marks or trade names of Terex Corporation and/or their subsidiaries in the USA and many other countries. Genie is a registered trademark of Terex South Dakota, Inc. © 2018 Terex Corporation.